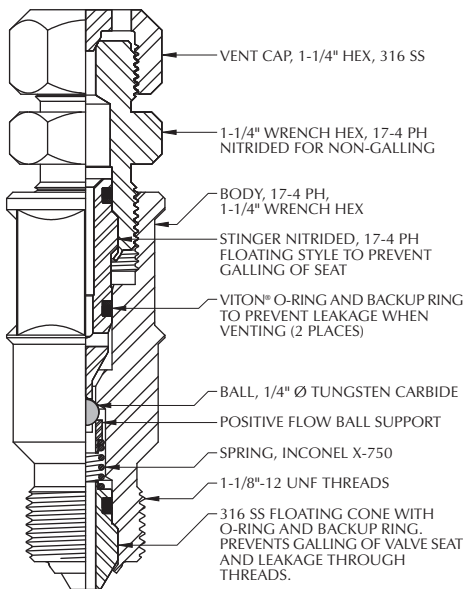


# HIGH PRESSURE LUBRICATION AND SEALANT FITTINGS

## Blowdown Fitting 9/16" Autoclave Style

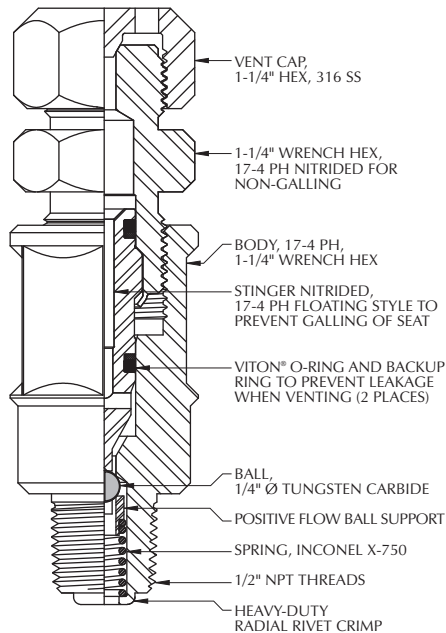


PART NO.

HP11S9-F0

*For Service to 20,000 PSI*

## Blowdown Fitting 1/2" NPT

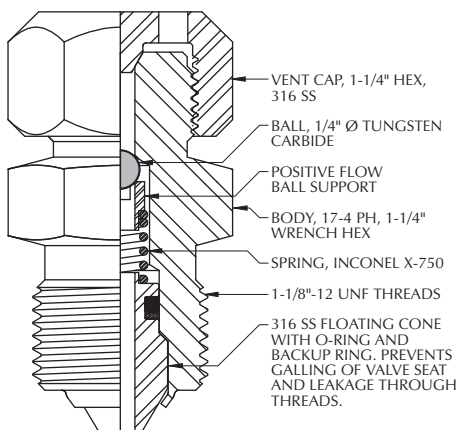


PART NO.

HP10N4-F0

*For Service to 10,000 PSI*

## Lubrication (Sealant) Fitting 9/16" Autoclave Style

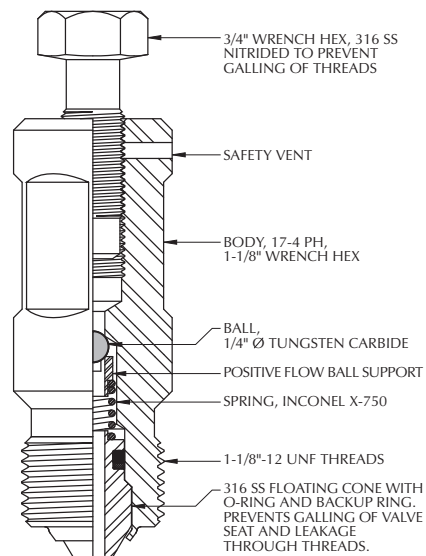


PART NO.

HP12S9-F0

*For Service to 20,000 PSI*

## Packing Injection Fitting 9/16" Autoclave Style



PART NO.

HP13S9-F0

*For Service to 20,000 PSI*

PLEASE CONSULT FACTORY FOR PRODUCT AVAILABILITIES. Other materials available upon request.

Willem Schoutenstraat 11 | 7825VV Emmen Nederland | T. +31 (0)591 676706 | F. +31 (0)591 676596 | E. info@jdtechnik.nl  
www.jdtechnik.nl | KvK 04086269 | BTW NL8179.27.803.B01 | IBAN NL27 RABO 0118 3377 26